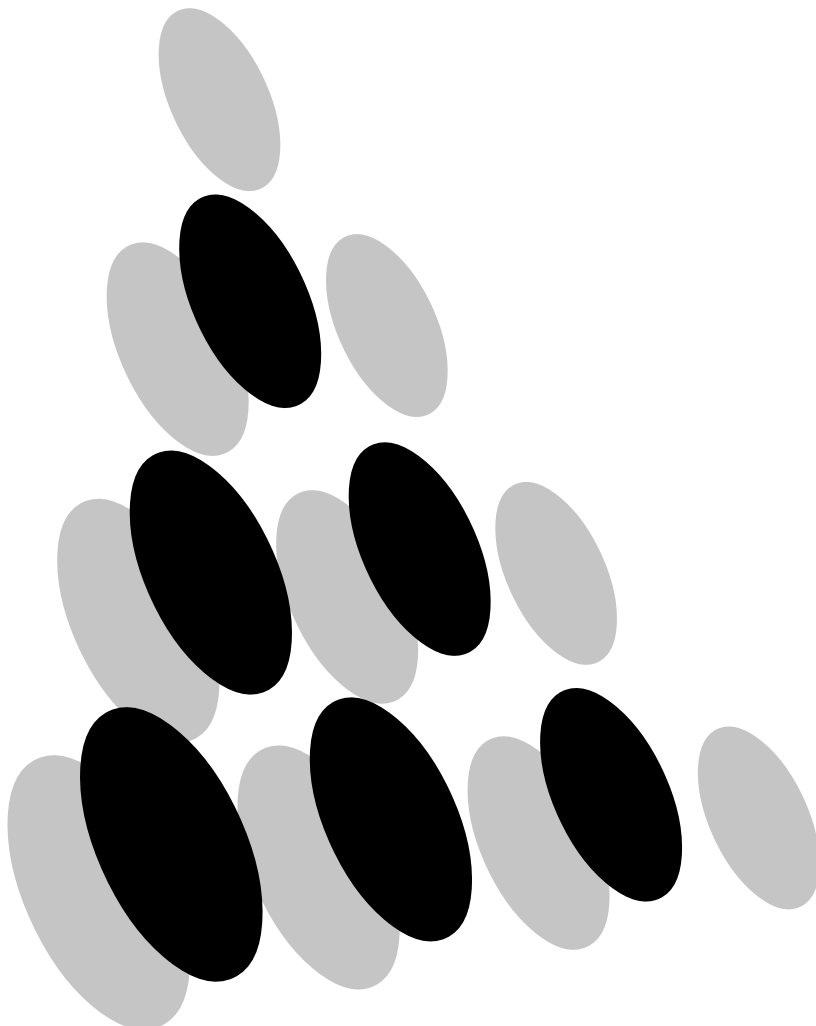


SERVIS

**8-port KVM Switch Integrated Console Drawer
[FD-1008AT]**

**16-port KVM Switch Integrated Console Drawer
[FD-1016AT]**

User's Manual



FUJITSU

Declaration of Conformity

Model Number : FD-1000 ATseries

Trade Name : Console Drawer

Responsible party : FUJITSU COMPONENT AMERICA, INC.

Address : 250 East Caribbean Drive, Sunnyvale, CA94089

Telephone number : (408) 745-4900

This device complies with Part 15 of the FCC Rules. Operation is subject to the following two conditions : (1) this device may not cause harmful Interference, and (2) this device must accept any Interference received, including Interference that may cause undesired operation. DOC Class A

This Product is designed, developed and manufactured as contemplated for general use, including without limitation, general office use, personal use, household use, and ordinary industrial use, but is not designed, developed and manufactured as contemplated for use accompanying fatal risks or dangers that, unless extremely high safety is secured, could lead directly to death, personal injury, severe physical damage or other loss (hereinafter "High Safety Required Use"), including without limitation, reaction core control in nuclear power facilities, aircraft autopilot flight control, air traffic control, operation control in mass transport control systems, medical instruments for life support systems, missile launching control in weapon systems. You shall not use this Product without securing the sufficient safety required for the High Safety Required Use. If you wish to use this Product for High Safety Required Use, please consult with our sales person representatives in charge before such use.

Other names such as product names are the registered trademarks or trademarks of their respective companies.

All Rights Reserved, Copyright© FUJITSU COMPONENT LIMITED 2003

(Hg) LAMP (S) INSIDE THIS PRODUCT
CONTAIN MERCURY AND MUST
BE RECYCLED OR DISPOSED OF
ACCORDING TO LOCAL, STATE, OR
FEDERAL LAWS.

Contents

PREFACE	2
Conventions	2
Packing List.....	2
IMPORTANT NOTICES	4
Safety	4
Disposal	6
Moving Console Drawer.....	6
INSTALLATION	7
Installing the Guide Rails (when using a tapped guide rail)	7
Installing Console Drawer	9
NAMES AND FUNCTIONS OF PARTS	10
CONNECTING AND REMOVING CABLES	13
Connecting Cables.....	13
Removing Cables.....	15
OPERATION	16
Operating the Console Drawer	16
Adjusting the Monitor	18
Basic Adjustment Procedure.....	19
Resolution and Refresh Rate	21
Hot-Key SW operations	22
Keyboard Operation, LED Indicators and the Reset SW	22
Pointing Device Operation	23
Switching the Server	24
Selecting the Server when the Power is ON	24
Selecting the Hot Key Mode	24
Setting/Changing Server Names	30
Constant Server Name Display Function.....	31
EDID Setting Mode	32
Storing Console Drawer	33
Cleaning Console Drawer	34
TECHNICAL SPECIFICATIONS	35
TROUBLESHOOTING	37

Preface

Congratulations on your purchase of a server rack-mountable KVM Switch Integrated Console Drawer. Using this product will greatly improve the efficiency and server switching functionality of the workspace around your racks. Space that was used in previous layouts can now be used more freely due to our compact sliding module design. The 15-inch TFT monitor has a resolution of 1024 to 768 dots with 16,770,000 colors. Also, it is equipped with a keyboard and 3-button pointing device.

Console Drawer is compatible with DOS/V (PC/AT compatible) devices.

This user's manual applies to both the 8-port and 16-port KVM Switches. However, unless otherwise mentioned, all descriptions in this manual refer to the 8-port KVM Switch.

*KVM Switch: Keyboard Video Mouse Switch

Conventions

Symbols and terminology that are used in this manual are described below.



This symbol indicates the possibility of physical damage (to this product, or server) or physical injury, which may result through improper operation.



This symbol indicates supplemental information, comments or hints.

-
- Text that is preceded by a number (such as 1.) indicates that the order of operation.
 - Reference to important chapter titles and terminology are in brackets [].

Packing List

Make sure that the items in the following list were included in the shipping package.

- KVM Switch Integrated Console Drawer x 1
- Operation manual (this manual) x 1

If something is missing from the package, contact your place of purchase or a Fujitsu maintenance person.

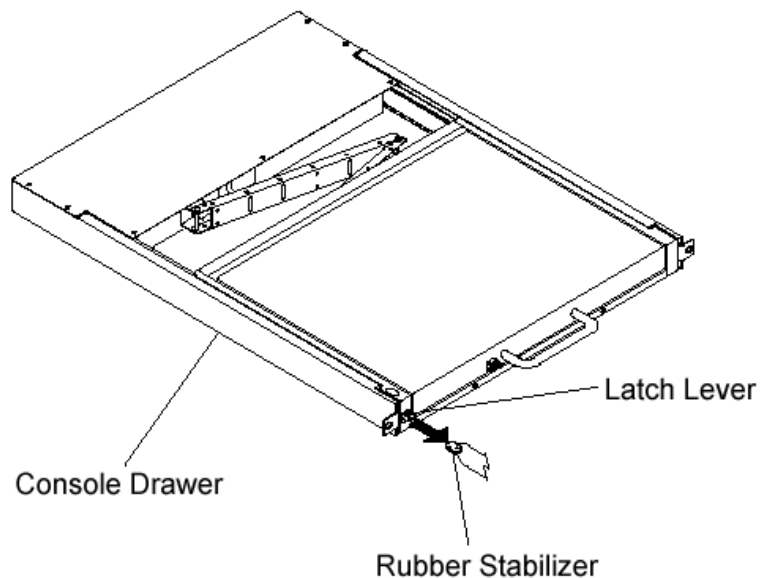
**CAUTION**

Please note the safety information in [Important Notices].

1. Check the package delivered and whether the Console Drawer has been damaged when unpacking.
 2. Remove the rubber stabilizer from the front left side of the Console Drawer.
-

Point

The rubber stabilizer is inserted to prevent the Console Drawer from sliding when installing or moving it. Be sure to keep it after finishing the installation for when it needs to be used again.



Important Notices

This chapter contains cautions that must be taken when operating the Console Drawer and information related to safety. Carefully read this chapter to use the Console Drawer correctly.

Safety



Precautions

This device adheres to the safety regulations related to information processing equipment such as electronic office machines that are used in an office environment. If you have any questions, please contact your place of purchase or a Fujitsu maintenance person.

- To prevent extreme bumping or shaking when moving the Console Drawer use the original shipping container or a box similar to it.
- During installation and before using the Console Drawer, carefully read [Installation] and the section about environmental conditions in [Technical Specifications] to use the Console Drawer correctly.
- Moving the Console Drawer from a cold environment to the installation location may cause condensation to occur. Before using the Console Drawer allow it to dry out completely and to reach the ambient temperature of the installation location.
- Make sure that the local power supply voltage is within the acceptable range of the Console Drawer. Make sure that the rated voltage meets the specifications of this device (Refer to [Technical Specifications] and the model plate on this device).
- The power cable for the Console Drawer is specially certified. Do not connect it to any place other than a grounded wall outlet.
- Arrange the immediate area around the Console Drawer's power socket and the rack's power outlet so that the plug can be removed quickly in the case of an emergency.
- Lay all the cables so that they will not be damaged. Refer to the relevant sections in "Connecting and Removing Cables".
- Do not connect or remove the data transmission cables during thunderstorms.
- Do not allow foreign substances or liquids inside the Console Drawer.
- In an emergency (device or parts failure: damage caused by liquid or a foreign objects into the Console Drawer) remove all cables from the Console Drawer as soon as possible and contact your place of purchase or a Fujitsu maintenance person.
- Only licensed engineers can repair the Console Drawer. Any unlicensed user that opens the Console Drawer and makes incorrect repairs may cause electric shock or fire.
- Always hold the connector portion and do not jerk the cables when removing them.
- Avoid operating the Console Drawer with wet hands.
- Do not unplug connectors with wet hands.
- Do not place such unnecessary items on the top of the Console Drawer.
- Do not modify or repair the Console Drawer.

-
- Only licensed personal can uncouple, remove or switch parts (such as electro-magnetic wave devices) which bear a warning mark (such as a lightning bolt).
 - Only the resolution and refresh rate specified in the monitor explanation in [Technical Specifications] can be used as incorrect settings may damage the monitor. Contact your place of purchase or a Fujitsu maintenance person if you have any questions.
 - To prevent interference it is necessary to adequately isolate the data cables connected to peripheral equipment.
 - Unplug the power plug from the grounded power outlet if there is a power outage.
 - Follow the instructions in the appropriate section in [Operation] when cleaning server.
 - Do not use the Console Drawer as a foot rest or lean against it with it drawn out. Doing so may unbalance the rack, causing it to fall over.
 - Keep this manual handy for reference with the Console Drawer at all times.



Safety Instructions

Read the “Safety Instructions” before use to ensure proper use of this product. Safety Instructions contained in this section are written for the user to avoid any damage to property or self-injury. Please read the following carefully:

- Verify that the power to the server is off before handling any connectors. Also, be sure to discharge any static electricity. Connecting or disconnecting the connectors while carrying a static charge or while the power to the server is on may damage the server or this device. Note that damage of this kind is not covered by the warranty.
- Only PC/AT compatible servers can be hooked up to this device, and each server must be equipped with the following type of keyboard, mouse and monitor connectors. Other types are not supported. Additionally, a PS/2 keyboard and mouse can not be connected at the same time as a Sun keyboard.

Compatible PC/AT connectors:

- Mini DIN 6P female (1 each for PS/2 keyboard and PS/2 mouse)
- USB A-type connector
- Mini D-SUB 15P female (monitor)
- Connecting the server requires special optional cables (for PS/2, and 1.8 m, 3 m and 5 m USB cables). The maximum cable length is 5 meters. Use a 1.8 meter cable for cascaded connections. Please note that cables longer than specified are not covered by the warranty.
- Use of standard equipment is recommended because special keyboards (programmable, wireless) and mice (wireless or that require a special driver) may not be supported/operate
- The keyboard connector for this switch device is a PS/2 type (Mini DIN 6P female), but you can connect an AT-type (DIN 5P male) keyboard by using a PS/2 <-> AT adapter. A USB type keyboard may not be used as the console keyboard.
- The mouse connector for the switch device is exclusively for PS/2 connection (Mini DIN 6P female). A serial or USB-type mouse may not be used as the console mouse.

-
- When using a mouse with a scroll function such as a mouse with PS/2 wheel, scrolling outside of the support sometimes does not function properly. Also, the scroll mice may fail to function properly depending on the software used.
 - The keyboard and mouse connectors are the same shape. Be sure the colors match to connect them correctly. If they are forced in or connected incorrectly, the switch device may not only function improperly but also may malfunction.
 - Set up the console's keyboard and mouse with each server correctly. If they are not set correctly they will not operate normally.
 - Hook up the cables for each port to the same server. If the monitor, keyboard, and mouse port numbers are wrong, you will not be able to select the server correctly.
 - A DVI (Digital Video Interface) compatible display can not be connected.
 - When connecting a monitor other than the one for Console Drawer, use one that is multi-scan compatible, and set the correct resolution. KVM Switch supports a resolution of 1600 x 1200 with a refresh rate of 75 Hz. Also, the display may be off center after switching depending on the monitor and resolution settings. Adjust the monitor or video card if this happens.
 - Degradations in high resolution screen quality, such as ghosts or blurring, may be due to the monitor cable or video card. Also, the screen may not display normally sometimes, depending on the particular combination of display and video card. Try changing the settings of the environment in which the video card, for example, is connected.
 - The monitor cable connector is a Mini D-SUB 15P type. Make sure you connect it in the correct orientation and use the fixing screws to hold it in place. It may cause trouble if it is not connected properly.
 - Cascaded connections must be setup exclusively with our KVM switches only. You can not make these connections with switches produced by other manufacturers.
 - A maximum of two levels of cascaded connections are allowed (including the master).
Attempting to cascade three or more levels will not work.

Disposal

This device is manufactured with metal and plastic parts. Dispose of it according the relevant government regulations.

Moving Console Drawer



When moving the Console Drawer to a different location, use the box in which it was purchased or a box that protects the product from bumping and shaking. Do not unpack the Console Drawer until the move has been completed.

Installation



Please note the safety information in [Important Notices]. Maintain the area around the equipment when using the Console Drawer (See [Technical Specifications] for more information). Avoid dust, humidity and extreme temperatures. Installation may require more than two people in some situations. Be careful not to pinch your fingers or hands between the guide rails and the Console Drawer.

Installing the Guide Rails (when using a tapped guide rail)

* These guide rails are optional.

Point

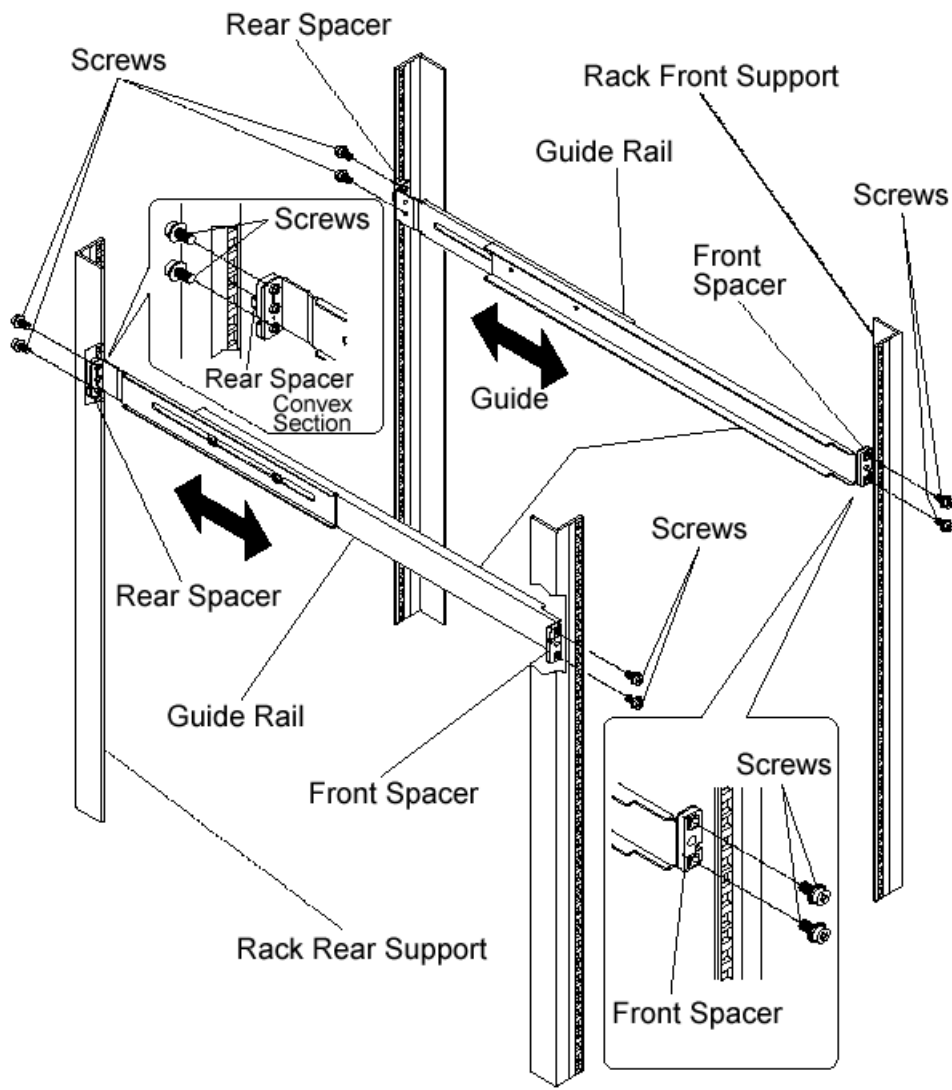
Install the guide rails with the guides toward the front so that the Console Drawer can be mounted on them.

When using a tapped guide rail, install them on the inside of the rack supports. A screw holder may be required depending on the guide rail specifications.

See the installation drawing using tapped guide rails on page 9.

1. Adjust the length of the guide rails on the inner side of the rack supports. Place the screw gaskets in the holes on the rack, and then fix the screws in the upper and lower holes on the guide rails. (Set the left and right guide rails at the same height.)

- For details on installing other guide rails, refer to their respective user's manual.



Installing tapped guide rails diagram

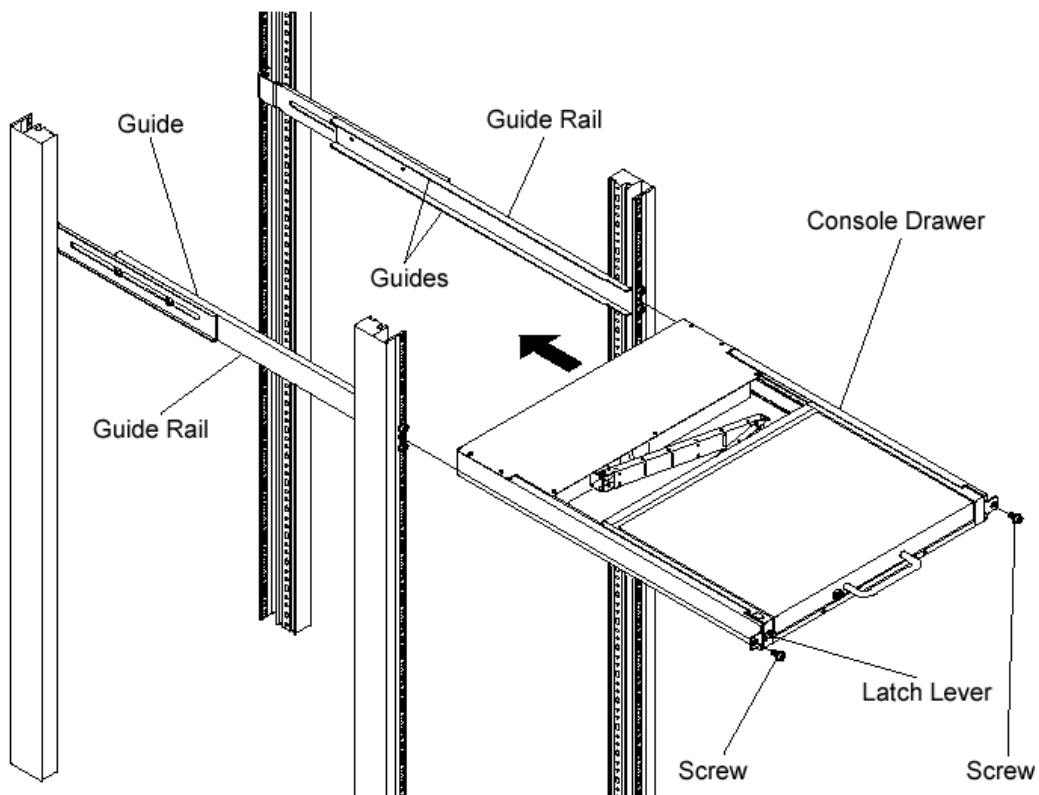
Installing Console Drawer



CAUTION

Be careful that the latch lever (see page 17) does not come loose. If the latch lever becomes loose, the Console Drawer may slide open. When installing the Console Drawer on the guide rails, make sure that at least two personnel are holding the Console Drawer. Do not connect the power cable at this point.

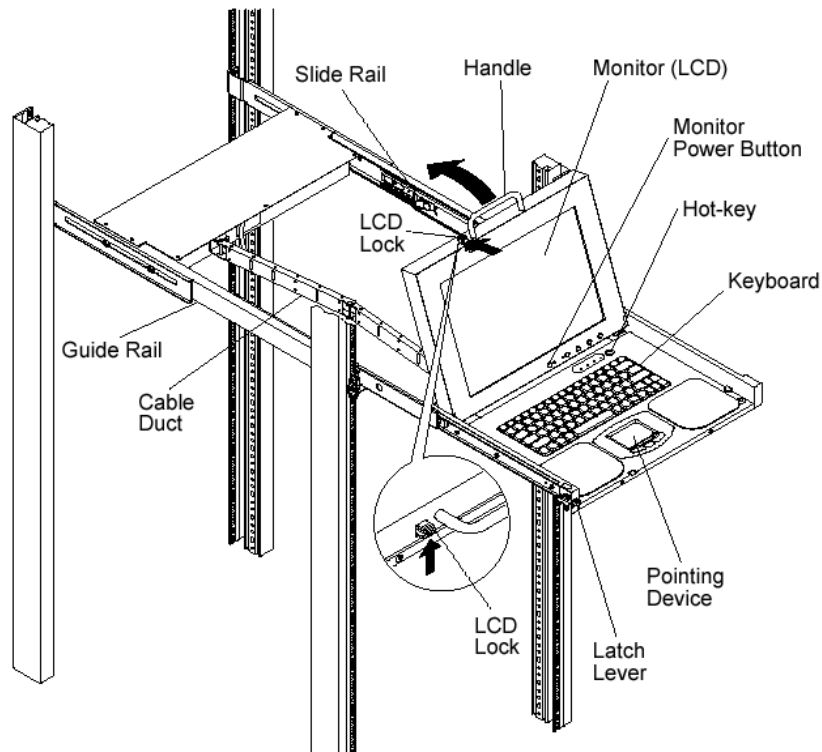
1. After installing the guide rails, mount the Console Drawer from the front side.
2. Push the Console Drawer in until it stops, and then tighten the two screws on the front of the Console Drawer to fix it in place.



Installing the Console Drawer diagram

Names and Functions of Parts

- Overview



- Console switches



The five buttons and two LEDs on the monitor are explained in order from left to right.

Power button: Push this button to turn on the power to the monitor. Also, pushing this button while the monitor is on cuts the power to the monitor.

Power lamp (green): This lamp lights when the power to the monitor is on and goes out when the power to the monitor is off.

Indicator lamp (orange): This lamp lights when the monitor is in energy-saving mode.

Menu button: Push this button to adjust the monitor.

▼ Button: Selects OSD (On Screen Display) menu items (downward).

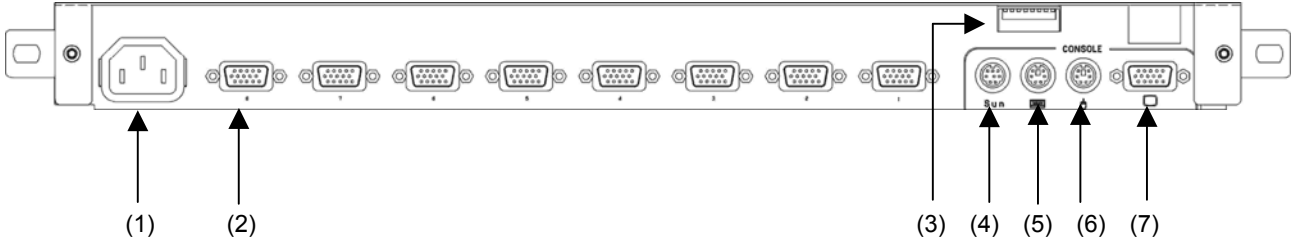
▲ Button: Selects OSD menu items (upward).

↵ Button: Push this button to select or enter things.

Hot-key: Push this button to display the OSD for switching servers.

- Rear Panel

8-Port KVM Switch



8-port KVM Switch rear panel

(1) Power cable connector

Connect to a 100 V AC electric outlet.

(2) Connectors for servers [1 through 8]

Connect each port (1 through 8) on this device to the relevant host's keyboard, mouse and monitor connectors with the special cable.

(3) DIP Switches

Use for a variety of settings. Numbered from left side while facing the switches starting from 1, 2...8; up is on and down is off.

(4) Connector for [Sun]

Connect to a SUN keyboard/mouse.
(Do not connect to the Console Drawer.)

(5) Keyboard connector

Connect a PS/2 keyboard connector (purple).

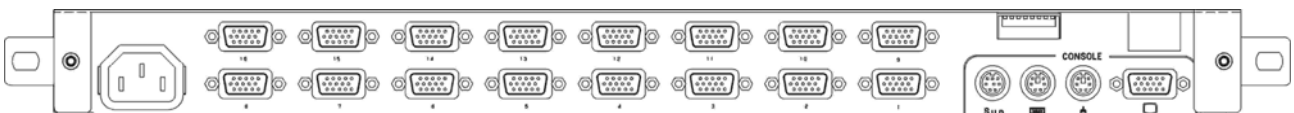
(6) Mouse connector

Connect a PS/2 mouse connector (green).

(7) Monitor Connector

Connect a monitor.

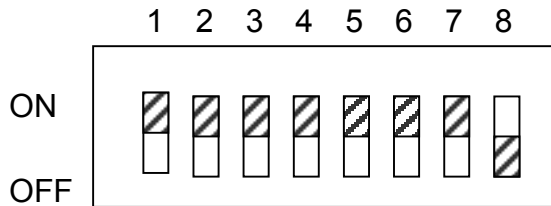
16-Port KVM Switch



16-port KVM Switch rear panel

DIP Switch Settings

The factory default settings are as follows:



(*Note: the  indicates the switch position)

DIP Switch Functions

SW No.	Function	ON state / OFF state
1	Hot Key Mode: <Ctrl>+<Alt>+<Shift> and Hot-Key SW	ON: enabled / OFF: disabled
2	Hot Key Mode: Double <Ctrl>	ON: enabled / OFF: disabled
3	Hot Key Mode: Double <Scroll Lock>	ON: enabled / OFF: disabled
4	Country Setting bit 1	(see following table)
5	Country Setting bit 2	(see following table)
6	Country Setting bit 3	(see following table)
7	Country Setting bit 4	(see following table)
8	Power Mode Setting	ON: the switch device is always ON. OFF: the switch device turns ON if any connected host is turned ON.

The country code (language) settings are as follows: For Sun Microsystems plat home only

Country Setting	SW4	SW5	SW6	SW7
JPN	ON	ON	ON	ON
USA	ON	ON	ON	OFF
GBR	ON	ON	OFF	ON
GER	ON	ON	OFF	OFF
FRA	ON	OFF	ON	ON
ESP	ON	OFF	ON	OFF
SWE	ON	OFF	OFF	ON
POR	ON	OFF	OFF	OFF
TPE	OFF	ON	ON	ON
KOR	OFF	ON	ON	OFF
ITA	OFF	ON	OFF	ON
UNIX	OFF	ON	OFF	OFF
NOR	OFF	OFF	ON	ON
BEL	OFF	OFF	ON	OFF
DEN	OFF	OFF	OFF	ON

Connecting and Removing Cables



Read the Console Drawer manual before connecting the cables. Do not connect or remove the cables during a thunderstorm. When unplugging cables hold them by the plug, not the cable. Connect and remove cables in the following order.

Connecting Cables

- **Getting started**

Then confirm that the power cable for each server is plugged into an electric outlet and that the power is off. **(Confirm connection (1))**

- **Connect the servers**

2.1 When using one level KVM Switch (using only one switch device)

It is possible to hook up a maximum of 8 servers.

- 1) Connect the first server's keyboard, mouse connector and CRT connector with the special cable (**connect (2)**), next connect the switching device's Mini D-Sub 15 pin (female) to the special connector (black). (**connect (3)**). **Use the fixing screws to hold the Mini D-SUB15Pin in place.**
- 2) Connect hosts 2 through 8 in the same manner.

3. Connect the console

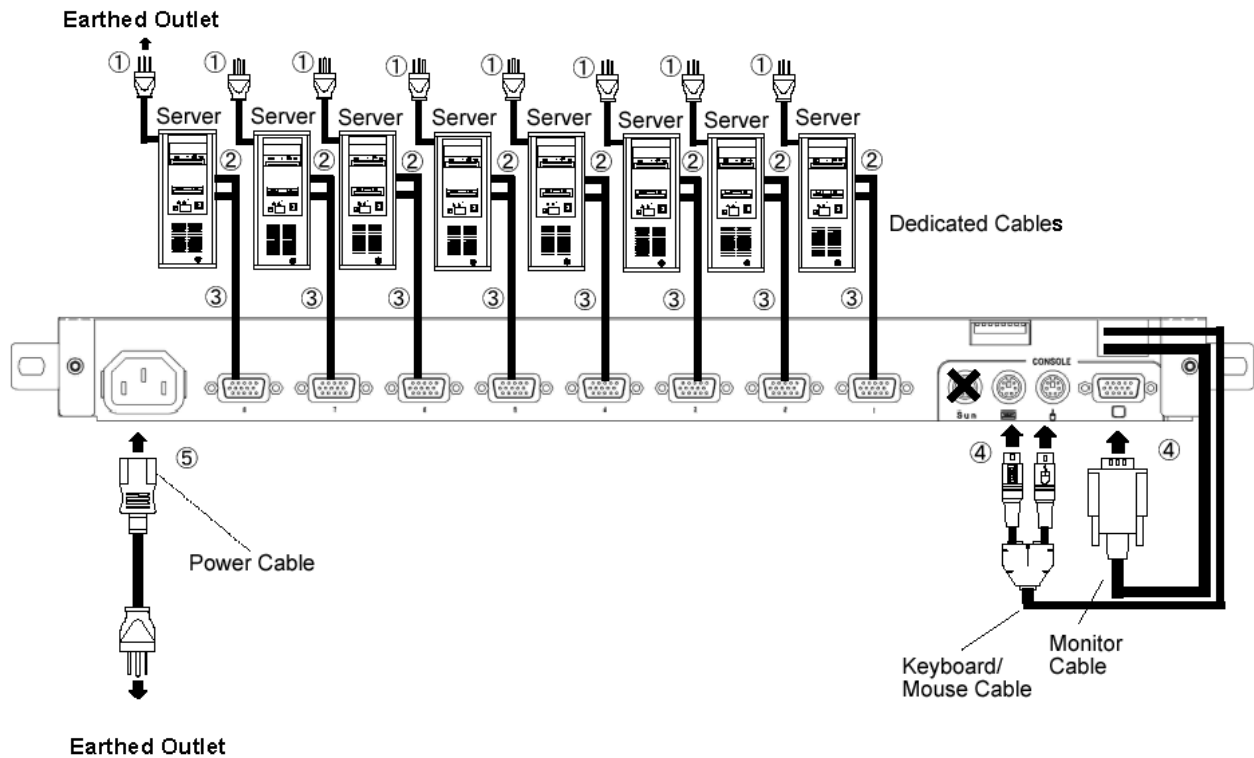
3.1 Connect the monitor cable and keyboard/mouse cable to the keyboard and mouse connectors. (connect (4)) Note: **Do not connect the cables to the connectors marked with an x.**

4. Connect the power cable

4.1 Connect the power cable to the Console Drawer. Next, connect the power cable to an earthed power supply outlet.

Point

When connecting the connector (Mini D-SUB 15Pin) for the monitor, use the fixing screws to securely connect the connector to the Console Drawer and server. Otherwise, images may be distorted.



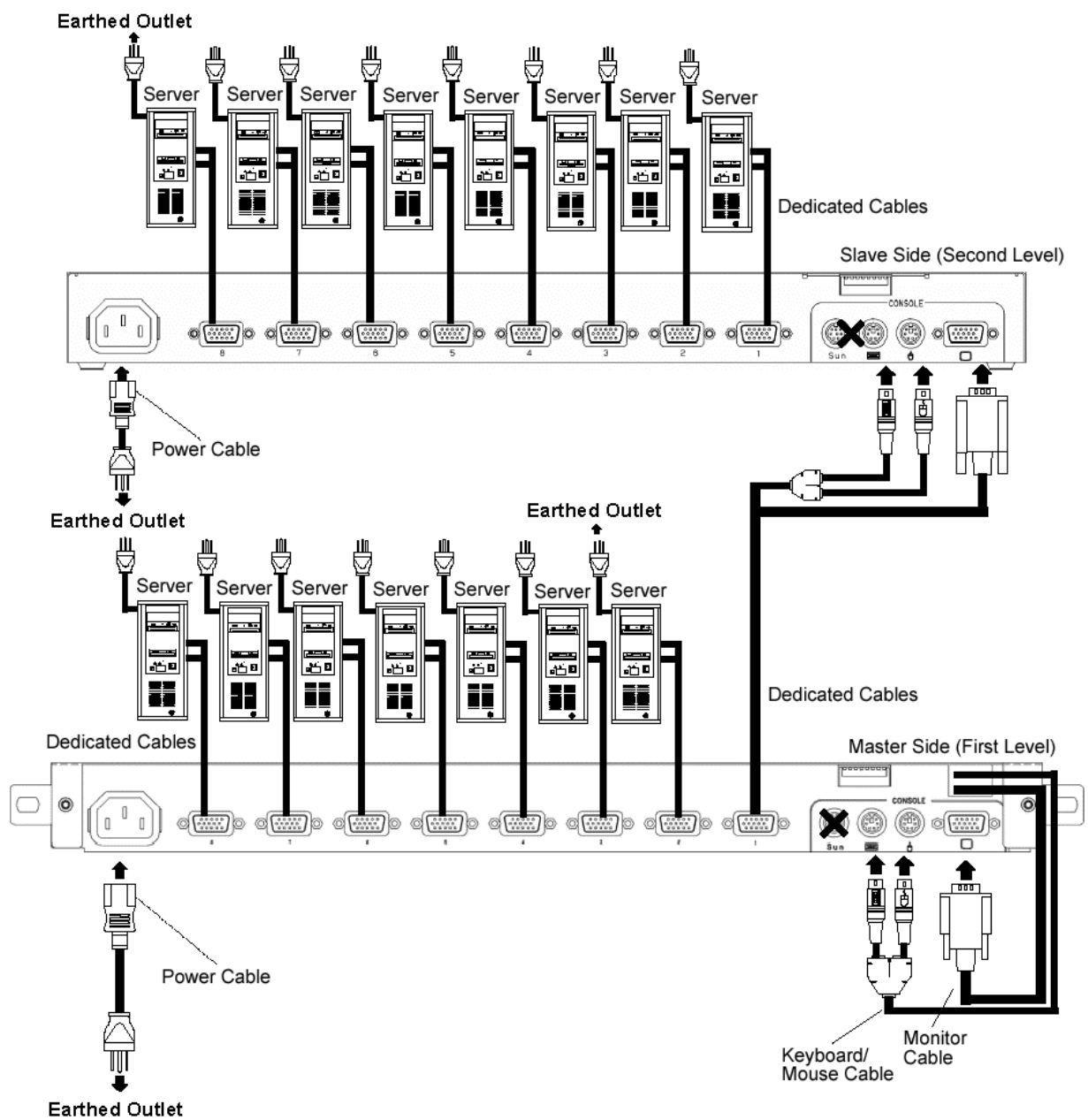
5. In the case of a cascaded connection (when KVM Switch is connected in a two-level connection)

By using cascaded connections (maximum 1 master and 8 slaves) it is possible to hook up a maximum of 64 servers.

- 1) Connect the master switch device's ports one through eight to the second level of switch devices (called slaves), in the same way as for the [first level].
- 2) Next, use the special cables to attach the [keyboard/mouse] and [DISP] connector of the first level switching device (called master) to the [Keyboard], [Mouse], and [Console] connector on the console ports of the second level slave switch devices.
- 3) To increase the number of slaves, connect them in the same way as described in steps 1 and 2 above. Do not connect slaves beyond the second level. Third level connection does not work.

Point

When the Console Drawer is used in a cascaded connection, the connector for the slave Console and for the master-side server can be connected using only the PS/2 special cable. Operation by a cable other than the special cable for the PS/2 cable will not be possible.



Removing Cables

Unplug the power cords, from the power outlets, of all the equipment that are effected, then remove each cable.

Operation

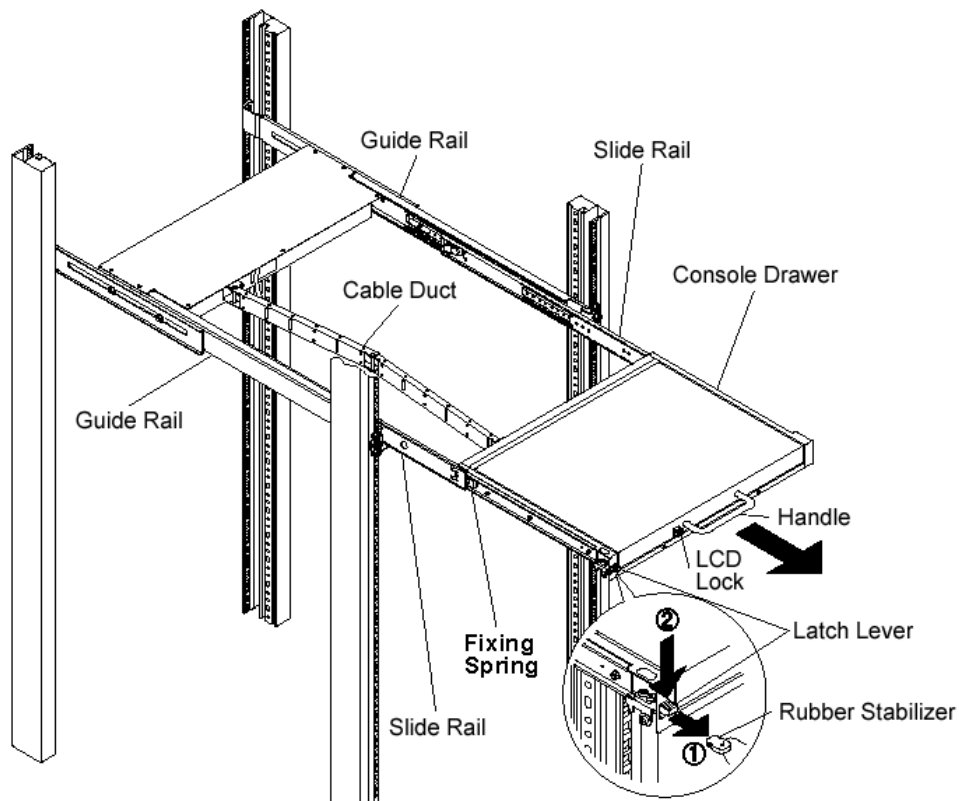


Pull the Console Drawer toward slowly until the slide rails lock. If they do not lock, the weight of the Console Drawer may cause it to move. Be careful not to pinch your hand when doing such activities as pulling or pushing the slide module and opening and closing the LCD.

Operating the Console Drawer

1. If the rubber stabilizer has not been removed yet, remove it now.
2. Push down on the latch lever on the front left side of the Console Drawer. Pull out the Console Drawer until it clicks.

Point Before pulling it out, make sure that the two screws on the front of the Console Drawer are tightly fixed to the rack.

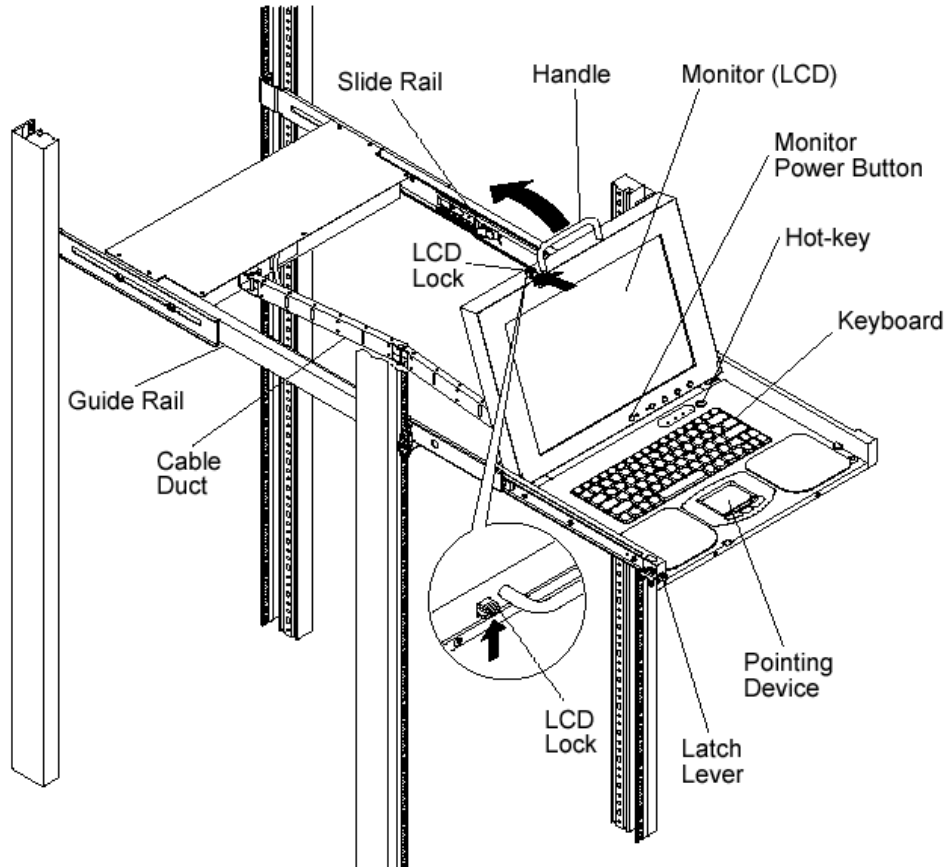


Pulling out the slide module diagram

3. Push up on the LCD lock on the left side of the handle, and then grasp the handle and open the top of the monitor.
 4. Turn on the power by pushing the POWER button.
 5. Turn on the power of each of the connected servers.
-

Point

Open the monitor completely.



Opening the LCD diagram

Adjusting the Monitor

The five buttons and two LEDs on the monitor are explained in order from left to right.



Power button: Push this button to turn on the power to the monitor. Also, pushing this button while the monitor is on cuts the power to the monitor.



Power lamp (green): This lamp lights when the power to the monitor is on and goes out when the power to the monitor is off.

Indicator lamp (orange): This lamp lights when the monitor is in energy-saving mode.

Menu button: Push this button to adjust the monitor.

▼ Button: Push this button to select OSD menu items (downward) or to decrement values.

▲ Button: Push this button to select OSD menu items (upward) or to increment values.

↵ Button: Push this button to select or enter things.

Point

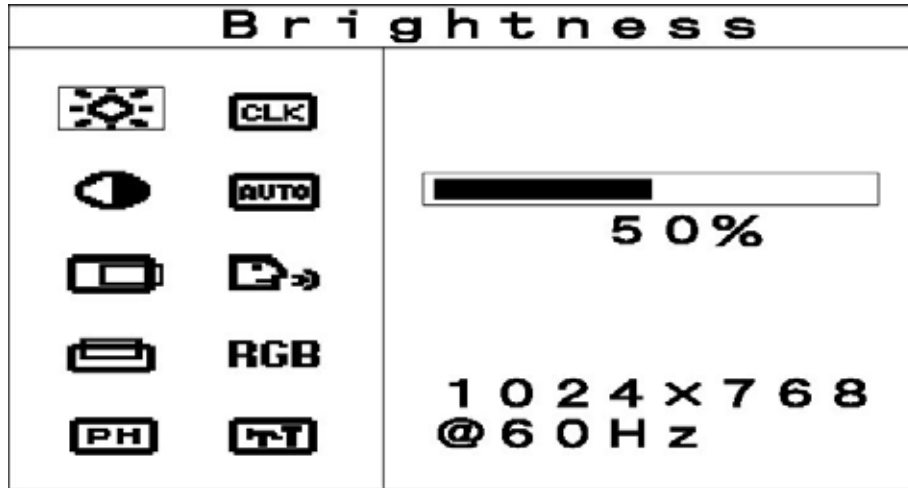
You can eliminate screen noise by adjusting the **PH** Phase and the **CLK** Clock



Be careful when applying a strong force to the equipment when the Console Drawer is pulled out and the monitor is opened and being used, as there is a risk that the rack may fall over. Do not strongly press on the monitor's screen, scratch it with sharp objects or place magnetic objects near it. Doing so may damage the monitor.






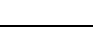





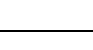


Basic Adjustment Procedure

1. Push the menu button to open the menu.



Example of menu screen display

2. Select the item to be adjusted with the ▼ button and the ▲ button.
3. Switch to the various adjustment screens with the ← button.
4. Change setting values with the ▼ button and the ▲ button.
5. Apply setting values and return to the menu screen with the ↵ button.
6. Push the menu button to close the menu.
(The menu button automatically closes if no button operations are done for a set time.)

Symbol	Displayed term	Adjustment details
	Brightness	Adjust the brightness.
	Contrast	Adjust the contrast.
	H.Position	Adjust the horizontal position of the image.
	V.Position	Adjust the vertical position of the image.
	Phase	Adjust the phase (eliminate screen noise).
	Clock	Adjust the width of the display.
	Auto	Select automatic adjustment.
	Language	Select the language used for the menu.
	Color	Adjust the tone.
	Special	Press the <Enter> key to change the following mode settings: Factory Setting, DOS MODE, Video Level, Zoom Sharpness
	Factory Setting	Return to factory default status.
	DOS MODE	Switches the horizontal resolution between 640 and 720 when DOS is in use.
	Video Level	Adjust the input signal level.
	Zoom Sharpness	Adjust the focus.

Resolution and Refresh Rate

Mode	Resolution	Horizontal frequency (KHz)	Vertical frequency (Hz)
VESA	600 × 480	31.47	60.0
		37.86	72.0
		37.5	75.0
	800 × 600	37.9	60.0
		48.1	72.0
		46.9	75.0
	1024 × 768	48.4	60.0
		56.5	70.0
		60.0	75.0

Hot-Key SW operations

To display the OSD menu for switching the server, press in and release this switch.

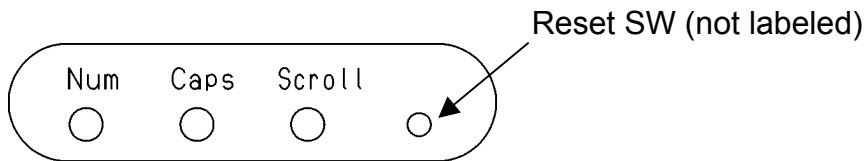
Keyboard Operation, LED Indicators and the Reset SW

Num Lock LED : Num Lock enabled (LED ON)/disabled (LED OFF)

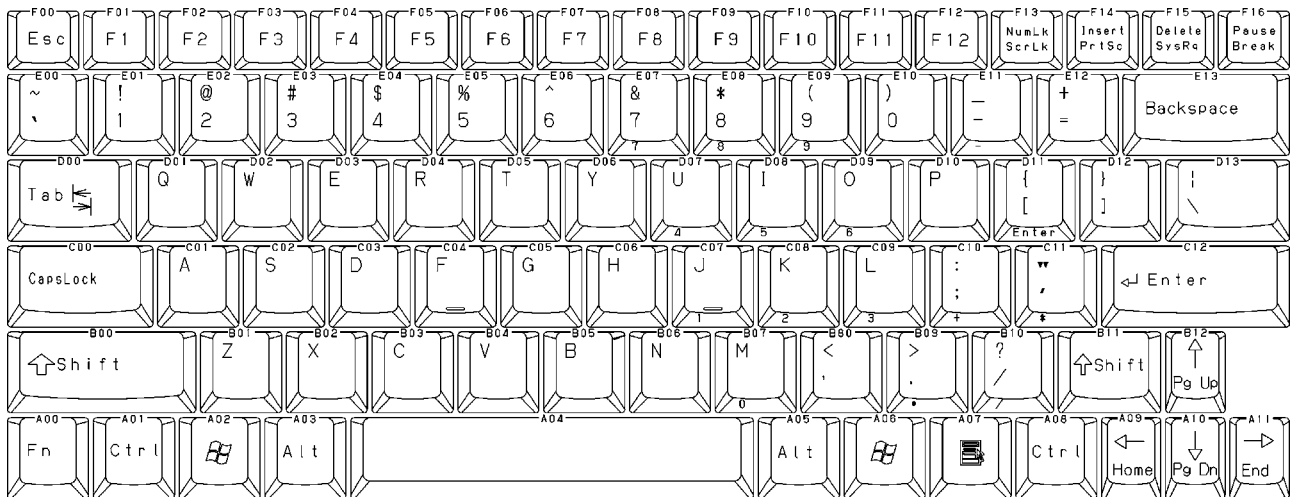
Caps Lock LED : Caps Lock enabled (LED ON)/disabled (LED OFF)

Scroll Lock LED : Scroll Lock enabled (LED ON)/disabled (LED OFF)

Reset SW : Normally, this is not used. Use only if the server cannot be selected or keyboard/mouse operations are not possible. Lightly press this switch in using the tip of a fine-tipped metallic object such a pin.



Full keyboard operation is possible by working with the Fn key.



Point To press the <Pg Up> key,
Press the <Fn>+<↑>keys.

Pointing Device Operation

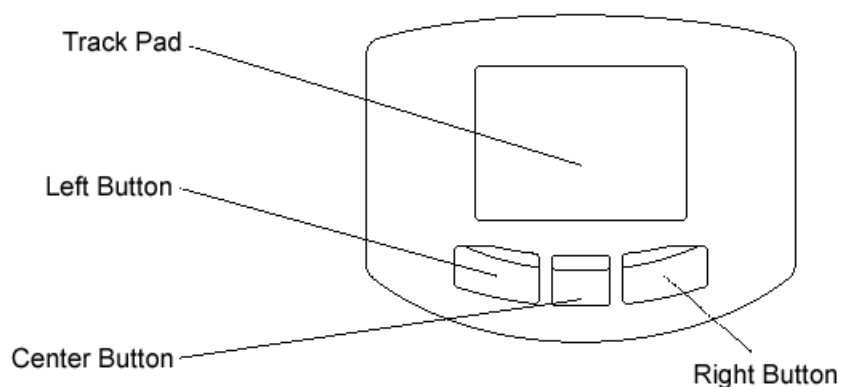
Lightly touch or tap the operation surface to operate the pointing device.

Moving the pointer: Just lightly touch the operation surface in the direction you want to move the cursor.

Single click: Lightly tap the operation surface once, or click the left button once.

Double click: Lightly tap the operation surface twice, or click the left button twice.

Drag: Lightly tap the operation surface twice, or lightly slide over the device without releasing it.



1. The pointing device has been designed to be operated with one finger, do not use it in the following ways:
 - 1) while wearing gloves;
 - 2) with a pen, ballpoint pen or pencil etc;
 - 3) with two or more fingers;
 - 4) operating while something is placed on the operation surface.
 2. Normal operation may become impossible if the operation surface gets wet such as when there is high humidity or the operator's hands are damp or sweaty. Thoroughly dry or wipe the operation surface before use.
 3. Do not do operations with pointed metal objects such as pens as it may damage the pointing device.
-

Switching the Server

A server can be selected from the OSD menu (Hot Key Mode). When a currently selected server is turned OFF, that state will be maintained. In this case, switch the desired server in the Hot Key Mode.

Keyboard/mouse operations are enabled only on the server currently connected to the selected port. Operation data is not sent to other servers.

Note, however, that commands from servers are processed at all times even if the server is not selected. For this reason, modes (Key Code mode, LED state, type-setting, Mouse Output Mode, etc.) are reflected when the server is switched.

Selecting the Server when the Power is ON

When the power is turned ON with the power of all servers OFF, the server that was first turned ON is automatically selected.

When servers are turned ON at the same time, Servers are selected and connected in numerical sequence (1, 2, 3 ...).

Selecting the Hot Key Mode

There are two Hot Key Modes: A and B. There are four ways of displaying the Hot Key Mode as follows:

Hot Key Mode A

- Press and release the Hot-Key switch.
- Hold down the <Ctrl>, <Alt>, <Shift> keys at the same time and release.
- Press Scroll Lock twice (Press the Scroll Lock key quickly in succession)

Hot Key Mode B

- Press Ctrl twice (Press the Ctrl key quickly in succession)

* Enabled/disabled can be set according to the DIP switch settings.

When the Hot Key Mode is activated, the OSD (On Screen Display) selection screen is shown on the monitor.

The Scroll Lock LED on the keyboard blinks fast.

Other LEDs (Num Lock LED, Caps Lock LED, Compose, kana) go out.

Keyboard/mouse entry is not possible in the Hot Key Mode. The following shows the indications at each of the connections.

*When there is no image (H/V Sync) signal from the currently connected server (suspended state), display the OSD menu by the image (H/V Sync) signals from other ports. At this time, the OSD menu flashes at 5-second cycles.

The normal state is returned to an image (H/V Sync) signal is input to the currently selected port.

*H Sync: Horizontal sync signal

*V Sync: Vertical sync signal

1) OSD in a non-cascaded connection (Hot Key Mode A)

SERVER SELECTION	
MASTER	SLAVE
1 SV1 -XXXXXXXXXX	
2 SV2 -XXXXXXXXXX	
3 SV3 -XXXXXXXXXX	
4 SV4 -XXXXXXXXXX	
5 SV5 -XXXXXXXXXX	
6 SV6 -XXXXXXXXXX	
7 SV7 -XXXXXXXXXX	
8 SV8 -XXXXXXXXXX	
ARW : SELECT	0 : AUTO SCAN
ENT : SET	ESC : EXIT
TAB : CHANGE NAME	
N : NEXT PAGE	


(Different from actual server name display)

2) OSD screen in a cascaded connection (Hot Key Mode A)

SERVER SELECTION	
MASTER	SLAVE
1 SV1 F1 SV5 - 1 -XXXXXXXXXX	
2 SV2 F2 SV5 - 2 -XXXXXXXXXX	
3 SV3 F3 SV5 - 3 -XXXXXXXXXX	
4 SV4 F4 SV5 - 4 -XXXXXXXXXX	
5 SV5 F5 SV5 - 5 -XXXXXXXXXX	
6 SV6 F6 SV5 - 6 -XXXXXXXXXX	
7 SV7 F7 SV5 - 7 -XXXXXXXXXX	
8 SV8 F8 SV5 - 8 -XXXXXXXXXX	
ARW : SELECT	0 : AUTO SCAN
ENT : SET	ESC : EXIT
TAB : CHANGE NAME	
N : NEXT PAGE	

Example OSD Screen with cascaded channel selected

[Screen Details]

- Numbers 1 to 8 and function keys F1 to F8 (for a cascaded connection) indicate the server connected ports. Any numbers 1 to 8 displayed in green indicates that the currently connected server is turned ON.
- The  mark shows the currently selected server.
- Purple text shows the hosts currently selectable with the cursor keys.
- SV1-XXXXXXXXXX shows the name of the server currently connected to port 1.
- The bottom of the screen shows simple explanations of allowed key operations.
- Cascaded connections are displayed on the slave server in blue. (In the above example, channel 5 is in a cascaded connection.)
- Depending on whether the selected channel has a cascaded slave device attached to it or not, the OSD master device display section (1. above) changes as follows:
 - Non-cascaded channel: 14-character wide master device section / nothing in slave section. (The OSD screen is the same without cascade connection.)
 - Cascaded channel: 3-character wide master device section / 14-character wide slave section.

3) Changing the master/slave display when there is a cascaded connection (Hot Key Mode A)

SERVER SELECTION		SLAVE	
MASTER			
1	SV1 F1	SV5 - 1 -	XXXXXXXXXX
2	SV2 F2	SV5 - 2 -	XXXXXXXXXX
3	SV3 F3	SV5 - 3 -	XXXXXXXXXX
4	SV4 F4	SV5 - 4 -	XXXXXXXXXX
5	SV5 F5	SV5 - 5 -	XXXXXXXXXX
6	SV6 F6	SV5 - 6 -	XXXXXXXXXX
7	SV7 F7	SV5 - 7 -	XXXXXXXXXX
8	SV8 F8	SV5 - 8 -	XXXXXXXXXX
ARW : SELECT		0 : AUTO	SCAN
ENT : SET		ESC : EXIT	
TAB : CHANGE		NAME	
N : NEXT PAGE			

SERVER SELECTION		SLAVE	
MASTER			
1	SV1 F1	SV5 - 1 -	XXXXXXXXXX
2	SV2 F2	SV5 - 2 -	XXXXXXXXXX
3	SV3 F3	SV5 - 3 -	XXXXXXXXXX
4	SV4 F4	SV5 - 4 -	XXXXXXXXXX
5	SV5 F5	SV5 - 5 -	XXXXXXXXXX
6	SV6 F6	SV5 - 6 -	XXXXXXXXXX
7	SV7 F7	SV5 - 7 -	XXXXXXXXXX
8	SV8 F8	SV5 - 8 -	XXXXXXXXXX
ARW : SELECT		0 : AUTO	SCAN
ENT : SET		ESC : EXIT	
TAB : CHANGE		NAME	
N : NEXT PAGE			

↓ Displays 14-character master mode when the <Shift> is pressed.

↑ Displays normal 3/14 mode when the <Shift> is released

↓ Displays 14-character master mode when the <Shift> is pressed.

↑ Displays normal 3/14 mode when the <Shift> is released

SERVER SELECTION		SLAVE	
MASTER			
1	SV1 -	XXXXXXXXXX	XXXXXX
2	SV2 -	XXXXXXXXXX	XXXXXX
3	SV3 -	XXXXXXXXXX	XXXXXX
4	SV4 -	XXXXXXXXXX	XXXXXX
5	SV5 -	XXXXXXXXXX	XXXXXX
6	SV6 -	XXXXXXXXXX	XXXXXX
7	SV7 -	XXXXXXXXXX	XXXXXX
8	SV8 -	XXXXXXXXXX	XXXXXX
ARW : SELECT		0 : AUTO	SCAN
ENT : SET		ESC : EXIT	
TAB : CHANGE		NAME	
N : NEXT PAGE			

SERVER SELECTION		SLAVE	
MASTER			
1	SV1 -	XXXXXXXXXX	
2	SV2 -	XXXXXXXXXX	
3	SV3 -	XXXXXXXXXX	
4	SV4 -	XXXXXXXXXX	
5	SV5 -	XXXXXXXXXX	
6	SV6 -	XXXXXXXXXX	
7	SV7 -	XXXXXXXXXX	
8	SV8 -	XXXXXXXXXX	
ARW : SELECT		0 : AUTO	SCAN
ENT : SET		ESC : EXIT	
TAB : CHANGE		NAME	
N : NEXT PAGE			

Cascade-connected master channel selected

Slave channel selected

[Screen Details]

1. If a cascade-connected master channel or any slave channel is selected, while the <Shift> key is pressed the OSD screen switches from “3-character master/14-character slave” mode back to “14-character master/5-character slave” mode. The OSD reverts to normal 3/14 mode when the <Shift> is released.

Hot Key Mode B

When the <Ctrl> key is pressed twice to enter Hot Key Mode B, a 1-line OSD menu is displayed at the top left of the screen.

[Screen Details]

1. The server name is displayed at the top left of the OSD screen.
2. Before switching the text background turns red.
3. After switching the text background turns blue, and the Hot Key Mode is exited after the switch is completed.
4. The OSD disappears about 3 seconds later.

How to switch the server on the OSD screen

Switching in Hot Key Mode A

The following OSD screen is displayed if you enter Hot Key Mode A after pressing the Hot-Key SW, <Ctrl>+<Alt>+<Shift> keys at the same time, and pressing the <Scroll Lock> key twice.

SERVER SELECTION									
MASTER					SLAVE				
1	SV 1	F 1	SV 5 - 1 -	X	X	X	X	X	X
2	SV 2	F 2	SV 5 - 2 -	X	X	X	X	X	X
3	SV 3	F 3	SV 5 - 3 -	X	X	X	X	X	X
4	SV 4	F 4	SV 5 - 4 -	X	X	X	X	X	X
5	SV 5	F 5	SV 5 - 5 -	X	X	X	X	X	X
6	SV 6	F 6	SV 5 - 6 -	X	X	X	X	X	X
7	SV 7	F 7	SV 5 - 7 -	X	X	X	X	X	X
8	SV 8	F 8	SV 5 - 8 -	X	X	X	X	X	X
ARW	: SELECT			O		: AUTO SCAN			
ENT	: SET			ESC		: EXIT			
TAB	: CHANGE NAME								
N	: NEXT PAGE								

Example of Hot Key Mode A indication in a cascaded connection

a. [Switching Via Keyboard]

- 1) Use the <↑><↓> cursor keys to select the channel of the server No. on the left side of the OSD screen.
- 2) If a cascade-connected channel is selected, the state of the selected slave device is shown on the right side of the OSD.
- 3) If a cascade-connected channel is selected, pressing the <→> cursor key causes control to switch to the right (slave) side of the OSD, with the currently selected cascaded host shown in purple. Press the <←> cursor key to return control to the left (master) side of the OSD.
- 4) On the right side of the OSD, use the <↑> & <↓> cursor keys as before to select a cascaded host (channel).
- 5) Press the <Enter> key to actually effect the console switch to the selected server. The name of the server switched to is shown at the top-left of the screen for about 3 seconds after the switch is effected.

Point

If ports 1 to 8 are selected when using a 16-port KVM Switch, ports 9 to 16 are displayed by the <Page Down> key. Ports 1 to 8 are switched to by the <Page Up> key.

b. [Direct Switching Via Keyboard]

8-port KVM Switch

- 1) Use the number keys <1>~<8>. For a cascaded setup, first use the number keys <1>~<8> to select a master-side channel, then use the function keys <F1>~<F8> to select a slave-side port.

16-port KVM Switch

- 1) To select master port #1: press <1> (& wait 1 sec), or press <1> then <Enter>
 - 2) To select master port #14: press <1><4> on the keyboard (press <4> within one second of pressing <1>)
 - 3) To select master port #2: press <2> on the keyboard
 - 4) With a cascaded connection, select the port where the first cascaded connection on the master side was made.
To select slave port #1: press <F1>, or press <F>+<1> (& wait 1 sec) or <Enter>
To select slave port #14: press <F>+<1>+<4> (press <4> within one second after pressing <1>)
- To select slave port #2: press <F2> or <F>+<2>

Screens can be switched directly by these key operations.

After the screen is switched, the name of the server that you switched to is displayed at the top left of the screen, the OSD screen display disappears after about three seconds, and the Hot Key Mode is exited.

Point

When selecting a port in a cascaded connection, first select the cascaded connection port on the master side. Then, select and switch to the port on the slave side.

Switching in Hot Key Mode B

The OSD menu is displayed at the top left of the screen when the <Ctrl> key is pressed twice and Hot Key Mode B is entered.

(Press the <Ctrl> key quickly in succession.)

When the text background is displayed in red, the screen is switched by pressing the key of the desired server number.

a. [Direct Switching Via Keyboard]

8-port KVM Switch

1) Use the number keys <1> to <8>. For a cascaded connection, first use the number keys <1> to <8> to select a master-side port, then use the function keys <F1> to <F8> to select a slave-side port.

16-port KVM Switch

1) To select master port #1: press <1> on the keyboard (& wait 1 sec) or <1>+<Enter>

2) To select master port #14: press <1><4> on the keyboard (press <4> within one second of pressing <1>)

3) To select master port #2: press <2> on the keyboard

4) With a cascaded connection, select the cascade-connected port on the master side.

To select slave port #1: press <F1>, or press <F>+<1> (& wait 1 sec) or <Enter>

To select slave port #14: press <F>+<1>+<4> (press <4> within one second of pressing <1>)

To select slave port #2: press <F2> or <F>+<2>

Screens can be switched directly by these key operations.

Switching the screen exits you from the Hot Key Mode.

No normal keyboard or mouse input is accepted while the text background is red.

To change the text background back to blue (exit Hot Key Mode), either press a number key, or press the <Esc> key, or the <Enter> key.

If the <0> key is pressed while the text background is red, Auto Scan Mode is entered.

Auto Scan Mode may be cancelled as follows:

<Enter> key: Console switches to the currently displayed screen.

<Esc> key: Console reverts to the server active before Auto Scan Mode was entered.

[Auto Scan Mode]

1) The screen is automatically switched at fixed cycles by pressing the <0> key on the keyboard in the Hot Key Mode.

2) The switching speed (Auto Scan Interval) may be adjusted by pressing the <↑> cursor key to make it faster (shorter) & the <↓> cursor key to make it slower (longer). Allowed Auto Scan Intervals are: 3, 5, 10 (default), 20, 40 and 60 seconds. The new Auto Scan Interval is shown on the OSD for 3 seconds.

3) Servers that are powered OFF are skipped.

No normal keyboard or mouse input is accepted while the Auto Scan Mode is running.

4) To return to Hot Key Mode, the Auto Scan Mode must first be cancelled.

5) Auto Scan Mode may be cancelled as follows:

<Enter> key: Console switches to the currently displayed screen
 <Esc> key: Console reverts to the server active before Auto Scan Mode was entered

Setting/Changing Server Names

SERVER SELECTION			
MASTER		SLAVE	
1	SV1 F1	SV5 - 1 -	XXXXXXXXXX
2	SV2 F2	SV5 - 2 -	XXXXXXXXXX
3	SV3 F3	SV5 - 3 -	XXXXXXXXXX
4	SV4 F4	SV5 - 4 -	XXXXXXXXXX
5	SV5 F5	SV5 - 5 -	XXXXXXXXXX
6	SV6 F6	SV5 - 6 -	XXXXXXXXXX
7	SV7 F7	SV5 - 7 -	XXXXXXXXXX
8	SV8 F8	SV5 - 8 -	XXXXXXXXXX
ARW	: SELECT	O	: AUTO SCAN
ENT	: SET	ESC	: EXIT
TAB	: CHANGE	NAME	
N	: NEXT PAGE		

SERVER SELECTION			
MASTER		SLAVE	
1	SV1 F1	SV5 - 1 -	XXXXXXXXXX
2	SV2 F2	SV5 - 2 -	XXXXXXXXXX
3	SV3 F3	SV5 - 3 -	XXXXXXXXXX
4	SV4 F4	SV5 - 4 -	XXXXXXXXXX
5	SV5 F5	SV5 - 5 -	XXXXXXXXXX
6	SV6 F6	SV5 - 6 -	XXXXXXXXXX
7	SV7 F7	SV5 - 7 -	XXXXXXXXXX
8	SV8 F8	SV5 - 8 -	XXXXXXXXXX
ARW	: SELECT	O	: AUTO SCAN
ENT	: SET	ESC	: EXIT
TAB	: CHANGE	NAME	
N	: NEXT PAGE		

↓ Press the <TAB> key for setting/changing the name

↓ Press the <TAB> key for setting/changing the name

SERVER SELECTION			
MASTER		SLAVE	
1	PC1 -	XXXXXXXXXX	XXXXXX
2	PC2 -	XXXXXXXXXX	XXXXXX
3	PC3 -	XXXXXXXXXX	XXXXXX
4	PC4 -	XXXXXXXXXX	XXXXXX
5	PC5 -	XXXXXXXXXX	XXXXXX
6	PC6 -	XXXXXXXXXX	XXXXXX
7	PC7 -	XXXXXXXXXX	XXXXXX
8	PC8 -	XXXXXXXXXX	XXXXXX
ARW	: SELECT	O	: AUTO SCAN
ENT	: SET	ESC	: EXIT
TAB	: CHANGE	NAME	
N	: NEXT PAGE		

SERVER SELECTION			
MASTER		SLAVE	
1	SV1 F1	SV5 - 1 -	XXXXXXXXXX
2	SV2 F2	SV5 - 2 -	XXXXXXXXXX
3	SV3 F3	SV5 - 3 -	XXXXXXXXXX
4	SV4 F4	SV5 - 4 -	XXXXXXXXXX
5	SV5 F5	SV5 - 5 -	XXXXXXXXXX
6	SV6 F6	SV5 - 6 -	XXXXXXXXXX
7	SV7 F7	SV5 - 7 -	XXXXXXXXXX
8	SV8 F8	SV5 - 8 -	XXXXXXXXXX
ARW	: SELECT	O	: AUTO SCAN
ENT	: SET	ESC	: EXIT
TAB	: CHANGE	NAME	
N	: NEXT PAGE		

Changing a master-side name
 (Single KVM setup has no blue area)

Changing a slave-side name

[Screen Details]

1. Select the server name to be set/changed using the cursor keys, exactly as if switching.
2. Press the <Tab> key. The selected name turns yellow, with a single black on yellow character.
3. Use the keyboard to enter the desired name, then press the <Enter> key to confirm it. Use the key to delete a single character, and the <BS> key to backspace. Use the <Esc> key to cancel an unconfirmed name (revert to original name).
4. A server name may be up to 14-characters long.
 ABCDEFGHIJKLMNOPQRSTUVWXYZ1234567890,./[:+*~+ and <Space>

Constant Server Name Display Function

When the device is operating in normal Console Mode, holding the <Shift> key down and pressing the <Scroll Lock> key twice causes the server name for the currently selected channel to be shown in the top-left of the screen.

If the server name is being displayed, holding the <Shift> key down and pressing the <Scroll Lock> key twice again causes the server name to disappear from the screen.

The factory default is for the host name to not be shown.

Server names are not displayed while in the Hot Key Mode or the Auto Scan Mode.

While in the Hot Key Mode, holding the <Shift> key down and pressing the <Scroll Lock> key twice will not cause the host name to be shown/hidden.

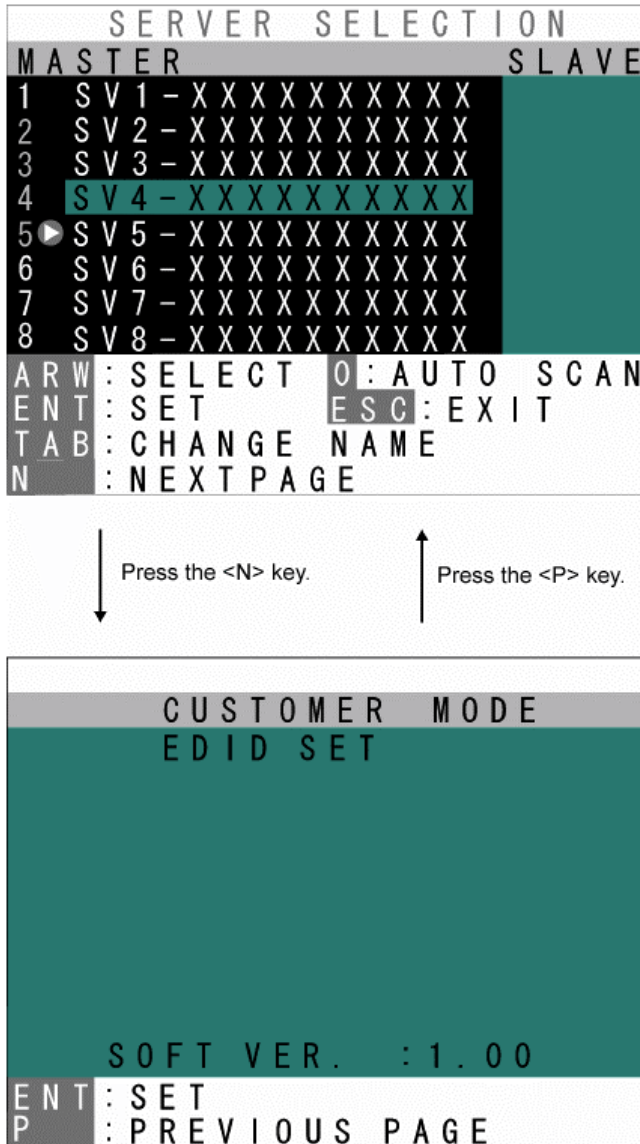
The current Show/Hide Server Name state is retained after switching the server via selector buttons or OSD.

If a FS-10x series device (previous model) is used in a cascaded setup, some or all of the server names may not be displayed, depending on the exact setup used:

- If a device that is not capable of showing server names is used as the master device, no server names will be shown.
- If a device that is not capable of showing server names is used as a slave device, no server names will be shown for the channels of that device.

EDID Setting Mode

After pressing the Hot-Key SW, the <Ctrl>+<Alt>+<Shift> keys or double pressing the <Scroll Lock> to activate the Hot Key Mode, pressing the <N> key causes the display to switch to the Customer Mode A:



The top line accesses the EDID Setting Mode.

The bottom line displays the firmware version currently installed.

Pressing the <Enter> key on this screen causes the text background to turn purple, while the EDID information is retrieved from the monitor connected to the console port and written to the internal ROM.

After the ROM has been written, the message “PNP MONITOR” is displayed.

When EDID information cannot be retrieved from the connected monitor, the message “DEFAULT MONITOR” is displayed, and “00” is written to the ROM.

If a new monitor is connected, and the EDID Setting performed, the internal ROM setting is subsequently transmitted to each host automatically.

The EDID Setting Mode may be ended as follows:
Press the <P> key to return to the Server Selection screen.
Press the <Esc> key to escape the Hot Key Mode and return to the normal console screen.

Point EDID for 15" LCDs (Console Drawer) is set before the Console Drawer is shipped from the factory.
When Console Drawer is used in a non-cascaded connection, EDID setting is not required.
Set EDID when other monitors are connected to Console Drawer, or when a cascaded connection is made.

Storing Console Drawer

The Console Drawer can be stored in the rack when a monitor and keyboard are not needed.

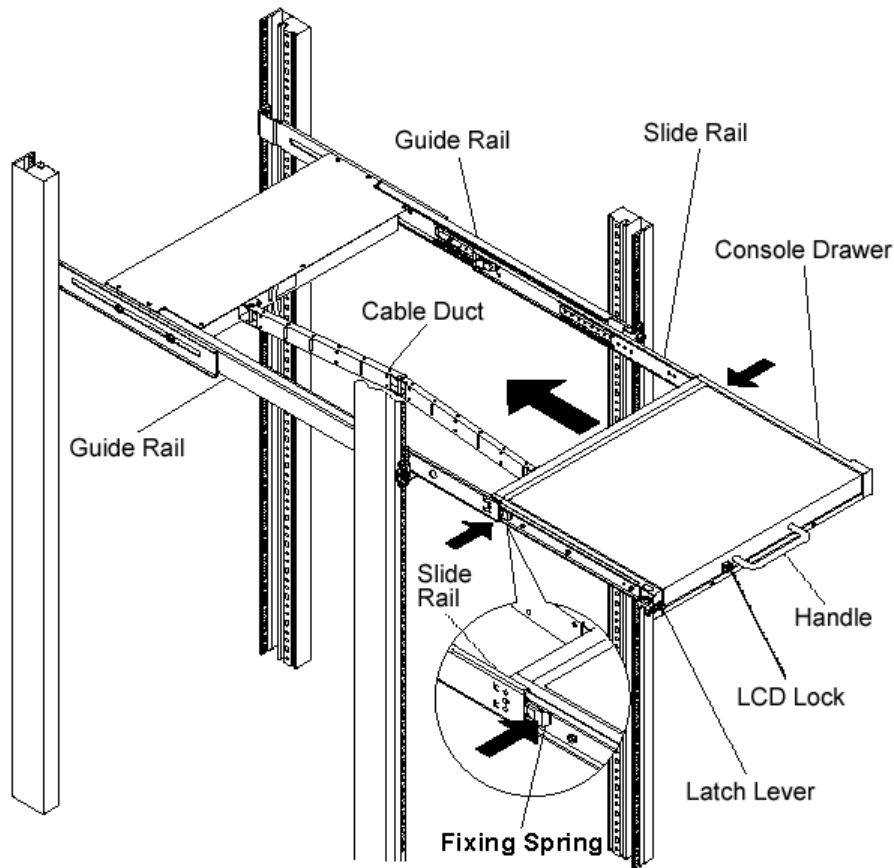
Point Slide the Console Drawer in and out of the rack slowly.

1. Push the monitor power button to turn off the power to the monitor.
2. Hold the handle and slowly close the monitor. Be sure that the LCD lock catches.
3. Push the locking springs on both sides of the slide rail and slide the Console Drawer into the rack. Be sure the latch lever catches.



Be careful not to pinch your fingers or hands in the guide rails, slide rails, or the Console Drawer itself when storing the Console Drawer. If the latch lever is not set the Console Drawer may slide out if the rack is moved.

Point We recommend turning off the monitor's power when it is not in use, to conserve electricity. Power is supplied to the keyboard and mouse even if power to Console Drawer is turned off. This does not cause any problems in server operation.



Inserting the slide module diagram

Cleaning Console Drawer



Turn off the power and unplug the power cable from the power socket. Do not use cleansers that contain abrasives; or such organic solvents as benzene or thinner; or disinfectant alcohol. Do not apply water and cleanser or spray type cleaners directly to the Console Drawer. If liquids enter the interior of the Console Drawer it may result in malfunctions or damage.

Wipe the Console **Drawer and monitor** with a dry cloth. If the dirt is excessive, wipe it off with a soft cloth that has been thoroughly wrung out after being dipped in household cleanser diluted with water.

Remove dust with a soft brush.

Clean **the keyboard and pointing device** with a sterile cloth.

Lightly wipe the monitor screen with a soft dry cloth such as gauze. Remove dust with a soft brush.

Technical Specifications

Item		Specification		
Product ID (KVM Switch Integrated Console Drawer)		FD-1008AT	FD-1016AT	
Number of Connected Servers		Max. 8 (more if connections are cascaded)	Max. 16 (more if connections are cascaded)	
Selection Method		OSD Display (Hot Key Mode)		
Hot Key Mode		Manual (key operation)/Auto Scan Mode		
Auto Scan Cycle		3/5/10 (default)/20/40/60 seconds		
Monitor Plug & Play Function		VESA DDC2 compatible		
LED Display	Power (green)	1		
	Indicator lamp (orange)	1		
KVM Switch	Inter-faces	Keyboard	PS/2 Keyboard Interface (OADG compliant)	
		Mouse	PS/2 Mouse Interface (OADG compliant)	
		USB	USB 1.1 compliant	
	Con-sole Ports	Keyboard	PS/2, Mini DIN 6P Female x 1 (Purple)	
		Mouse	PS/2, Mini DIN 6P Female x 1 (Green)	
		Monitor	Mini D-SUB 15P Female x 1	(Blue)
	Server Port	Mini D-SUB 15P Female x 8 (Black)	Mini D-SUB 15P Female x 16 (Black)	
Monitor	Panel Monitor	15" TFT color LCD		
	Resolution	Maximum 1024 x 768		
	Pitch	0.2175 × 0.2175mm		
	Refresh rate	Maximum 75 Hz		
	Colors	16,770,000		
	Brightness:	200cd/m ²		
	Interface	Analog RGB Mini D-SUB 15Pin		
	Power consumption:	Maximum 20W		
Key-board	Number of keys	83		
	Interface	Mini DIN 8Pin		
Pointing Device	Model	Static Touch Pad		
	Resolution:	240 cpi (Characters Per Inch)		
	Interface	Mini DIN 8Pin		
	Number of switches	3		

Item		Specification
Product ID		FD-1008AT FD-1016AT
Current Supply to Keyboard/Mouse		Max. 300mA Max. 150mA
Voltage		AC100 - 240V 50/60Hz
Power consumption		0.55A(AC)/AC100V , 0.3A(AC)/AC240V
Operating temperature/humidity		5 to 40°C/10 to 80%RH (condensation not allowed) *According to server environmental conditions
Size (W x D x H)	Slide rail contracted	485mm × 642mm × 42.0mm
	Slide rail extended	485mm × 1117mm × 42.0mm
	the LCD are fully opened	485mm × 1077mm × 345mm
Construction		Painted (Black) Metal Case
Weight		13kg

Included Accessories	User's Manual (x 1) 2.0m AC Cable (x 1) *For USA only
----------------------	--

● **Optional Accessories (Sold separately)**

Item	Product ID	Remark
Combined Keyboard + Mouse + Monitor Cable (1.8m)	NC14000-B602 (NC14000-B002)	- PS/2 cable (this cable may be used for cascade connections)
	NC14000-B102	- USB cable
Combined Keyboard + Mouse + Monitor Cable (3.0m)	NC14000-B603 (NC14000-B003)	- PS/2 cable
	NC14000-B103	- USB cable
Combined Keyboard + Mouse + Monitor Cable (5.0m)	NC14000-B605 (NC14000-B005)	- PS/2 cable
	NC14000-B105	- USB cable

Item	Product ID	Product ID
Guide Rail	NC14004-T591	W/ M6 tapped rack installation holes
	NC14004-T592	W/ untapped rack installation oblong holes Installation from front/rear
	NC14004-T593	W/ untapped rack installation oblong holes Installation from side

Troubleshooting

Symptom	Cause	Action
No monitor display	The AC cord is not connected to the electric outlet or to the switch device.	Connect the AC cord.
	The AC power is off.	Turn on the AC power.
	POWER button was turned OFF. Power lamp (green) is out.	Turn POWER button ON.
	No image signal from server (suspended state)	Input image signal from server.
The keyboard and mouse do not operate or operate strangely.	Connection is made to SUN port on CONSOLE side.	Connect to PS/2 port.
	Cannot get out of Hot Key Mode	Press the [Enter] or [ESC] key
	The key repeat is abnormal.	Change the speed setting for the key repeat on the server.
	A non-supported keyboard or mouse is connected.	Replace with a supported keyboard or mouse.
Poor screen quality (Faded images, blurred characters, etc.)	Connection/cable is defective	Confirm the connector connection. Replace with a different cable. If this solves the problem, replace with a new cable.
Window shifts or does not display when switching	Wrong resolution	Adjust the resolution or use the monitor function
	Monitor not supported or out-of-sync when a monitor other than the monitor for Console Drawer is connected.	Connect compatible (multi-sync) monitor. Adjust on monitor side.
Cannot go into Auto Scan Mode	Device enters Hot Key Mode	The device goes into Hot Key Mode, press the number key (0).
	Wrong key	Press the number key (0).
Cannot go into Hot Key Mode	Wrong key	First level are the number keys (1 through 8). Second level are F1 through F8.
The auto scan switch cycle is abnormal.	The switch cycle has not been adjusted. (The default value is 10 seconds.)	Use the cursor keys (↑ and ↓) to adjust it.
Operation stops after a period of normal operation.	Connection has been disrupted.	Check the connections and the restart.
	The switcher is hung up.	Press the reset switch.
	A problem has occurred at the server.	Correct the problem at the server.

Symptom	Cause	Action
Cascaded connections are not recognized.	A problem has occurred at the switcher.	Press the reset switch. (Both the slave and the master)
The OSD display flashes at 5-second cycles.	No image (H/V Sync) signal from server (suspended state)	Input image (H/V Sync) signal. Or, switch to server having an image (H/V Sync) signal.

Note

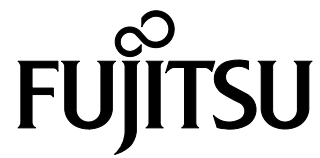
KVM Switch Integrated Console Drawer [FD-10XXAT Series]

User's Manual

Published Nov 2003
Published by FUJITSU COMPONENT LIMITED

Printed in Japan

- The contents of this manual may be modified for improvements without prior notice.
- Fujitsu bears no responsibility for infringement of patent or other rights of third parties ascribable to the use of data in this manual.
- Reprinting of this manual without permission is prohibited.



This manual is made of recycled paper.

031222
NC14004-L525 01